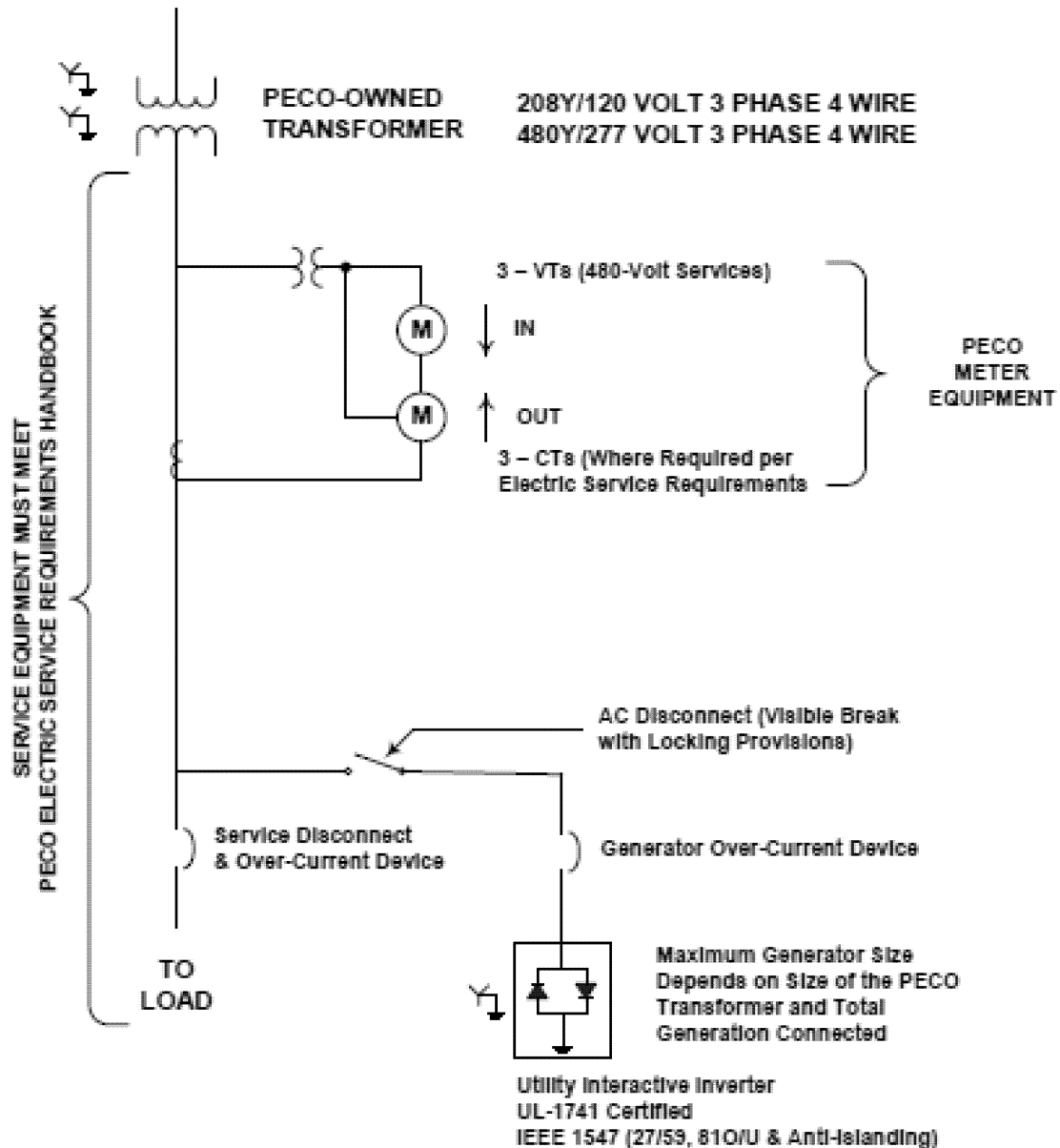


**DIAGRAM B  
PECO SECONDARY 3-PHASE SERVICES  
(600 VOLTS AND LESS)  
(APPLIES TO UTILITY INTERACTIVE INVERTERS)**

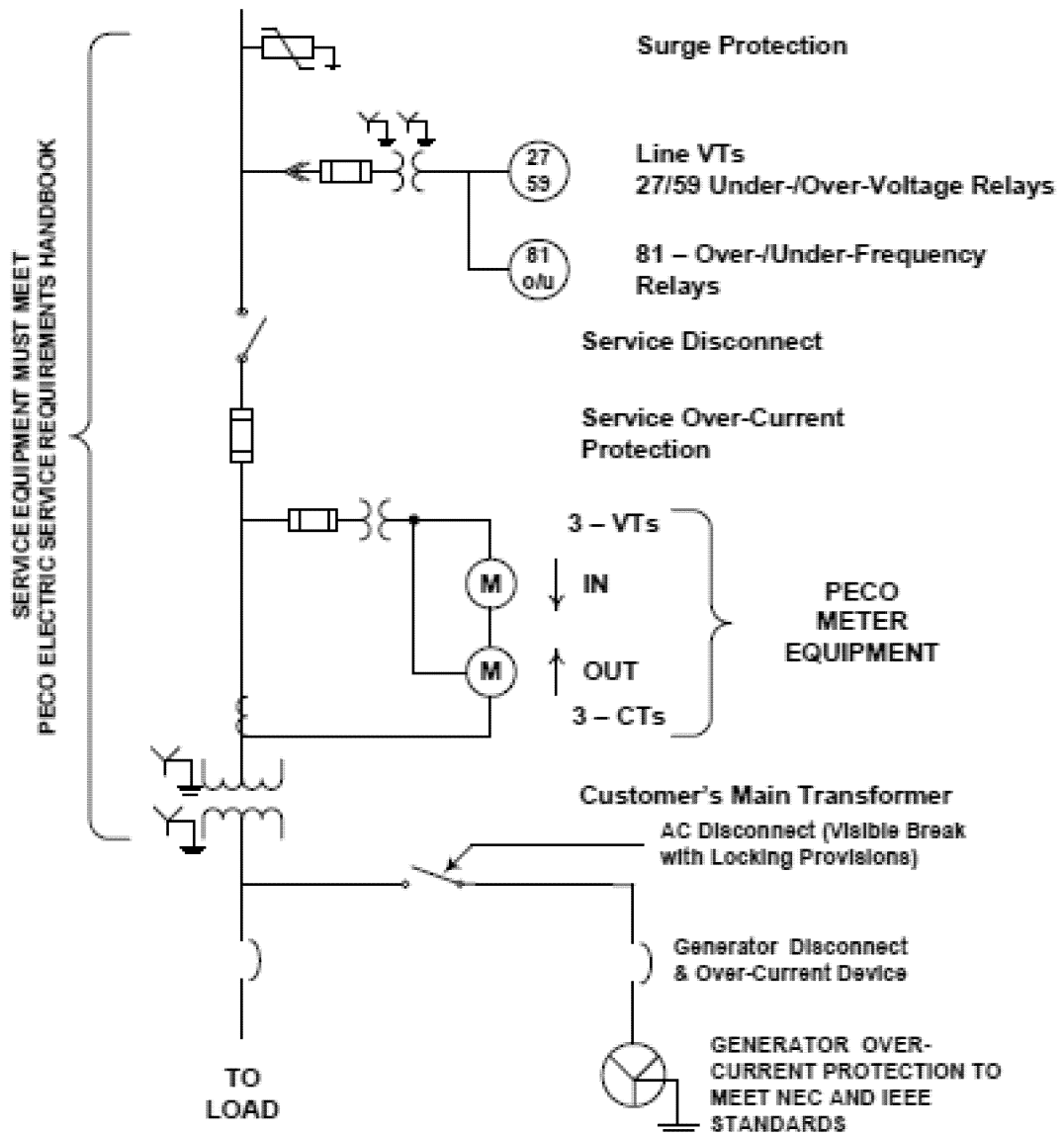
**CUSTOMER OWNS, OPERATES AND  
MAINTAINS ALL EQUIPMENT EXCEPT  
PECO TRANSFORMER AND METERING**



**NOTE: ALL GENERATION SOURCES TO BE CONFIGURED AS A SOLIDLY GROUNDED-WYE CAPABLE SUPPLYING CUSTOMER SINGLE-PHASE LOADS CONNECTED PHASE TO NEUTRAL. SEE AC SCHEMATIC FIGURES X, Y & Z.**

**DIAGRAM C**  
**SWITCH & FUSE SERVICES OVER 600 VOLTS**  
 (4,160, 13,200, 33,000)  
**THREE-PHASE FOUR-WIRE SYSTEM**  
 (APPLIES TO SYNCHRONOUS & INDUCTION GENERATORS)

CUSTOMER OWNS, OPERATES AND  
 MAINTAINS ALL EQUIPMENT EXCEPT  
 PECO METERING



NOTE: ALL GENERATION SOURCES TO BE CONFIGURED AS A SOLIDLY GROUND-WYE CAPABLE SUPPLYING CUSTOMER SINGLE-PHASE LOADS CONNECTED PHASE TO NEUTRAL. SEE AC SCHEMATIC FIGURES X, Y & Z.

**DIAGRAM E**  
**BREAKER SERVICES OVER 600 VOLTS**  
**(4,160, 13,200, 33,000)**  
**THREE-PHASE FOUR-WIRE SYSTEM**  
**(APPLIES TO SYNCHRONOUS & INDUCTION GENERATORS)**

**CUSTOMER OWNS, OPERATES AND MAINTAINS ALL EQUIPMENT EXCEPT PECO METERING**

